

Klarity MultiFix™ Head Only Baseplate

INSTRUCTIONS FOR USE

GENERAL INFORMATION

The Klarity MultiFix™ Head Only Baseplate is used for positioning and re-positioning the patient's head during radiation therapy treatment.

PRODUCT DESCRIPTION

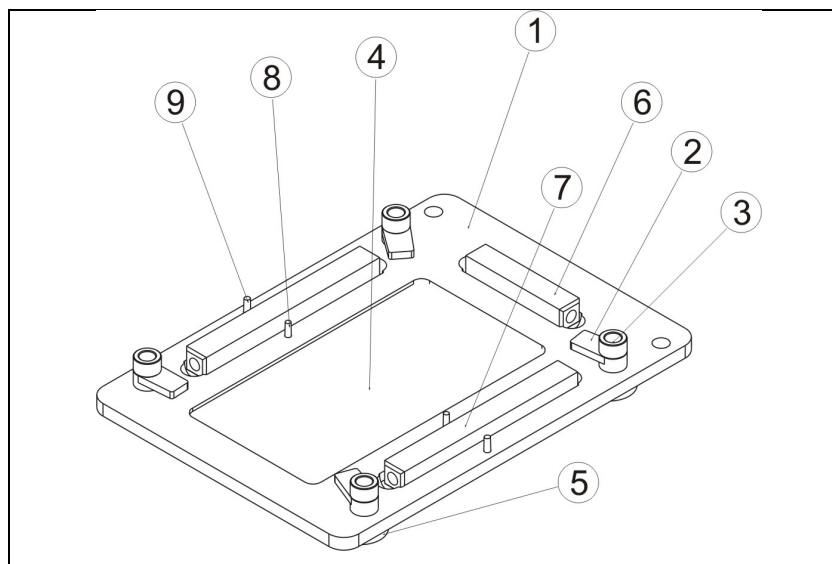
The Klarity MultiFix™ Head Only Baseplate is used for immobilizing the head during radiation therapy treatments. The baseplate fixes to the treatment couch with standard indexing bars, and can be used with standard headrests or silverman. The MultiFix Head Only Baseplate is compatible with U-frame and O-type thermoplastic masks from Klarity and other manufacturers. For a complete selection of our U-frame and O-type masks, please visit www.klaritymedical.com/masks.

STORAGE AND CLEANING

Store in a clean, dry place away from direct sunlight. Wipe thoroughly with a neutral antiseptic cleaner. Allow to dry thoroughly before next use.

INSTRUCTIONS FOR USE

1. Attach the MultiFix™ Head Only Baseplate to the treatment table or CT Couch using an indexing bar.
2. Place the desired headrest on the MultiFix™ Head Only Baseplate.
3. Position the patient on the baseplate
4. If using U-frame masks, unscrew the four clamp screws (3) and rotate the turning pieces (2) so that the mask can be set on the baseplate. For O-type masks, remove the blocks (6, 7) from the side slots so that the mask can fit in the baseplate.
5. Prepare your thermoplastic mask per manufacturer's instructions.
6. When ready, bring the mask down over the patient's face towards the locating pins (9) on the baseplate.
7. For U-frame masks, screw the clamp screws in to tighten over the mask frame. For O-type masks, fit the blocks in to the slots to hold the frame in place.
8. Once the mask cools, release the mask by loosening the screws or releasing the blocks.



1	Baseplate
2	Turning piece
3	Clamp screw
4	Headrest opening
5	Rubber feet
6	Top fitting block
7	Side fitting blocks
8	Locating pin (Ø4.8mm)
9	Locating pin (Ø5.2mm)

To be used by a qualified medical professional
IFU-B-003



Keep in a cool and dry environment
35°C
Store below 35°C (95°F)



EC REP

Lotus NL B.V.
Koningin Julianaplein 10, le Verd, 2595AA
The Hague, Netherlands
T: +31645171879 (English)
T: +31626669008 (Dutch)

Klarity Medical Products, LLC
600 Industrial Parkway
Heath, OH 43056
T: 740.788.8107 F: 740-788-8109
info@klaritymedical.com
www.klaritymedical.com