

R632-BTCF Klarity WingSpan™ Baseplate INSTRUCTIONS FOR USE

GENERAL INFORMATION

The Klarity WingSpan™ Baseplate is used for positioning and re-positioning patients during radiation therapy treatment.

PRODUCT DESCRIPTION

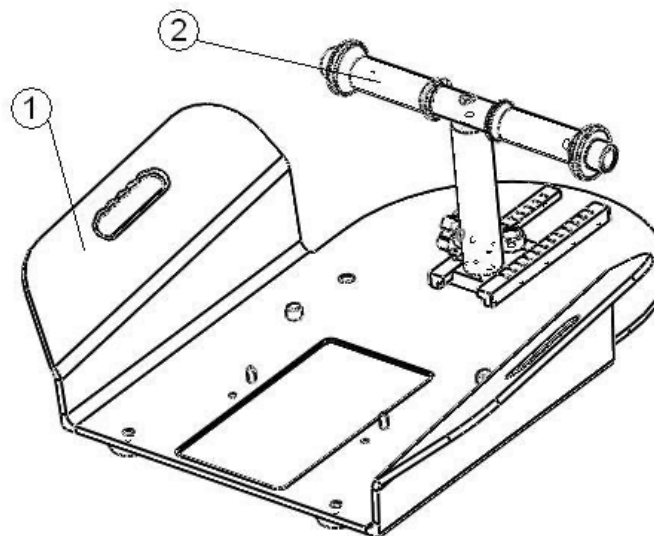
The Klarity WingSpan™ Baseplate is used for immobilizing the head, upper torso, and arms during radiation therapy treatments. The baseplate fixes to the treatment couch with standard indexing bars, and can be used with standard headrests or silverman. The WingSpan™ Baseplate is compatible with the R62400-3CF Klarity SBRT System and the R611-5SDCF Supine Breast System. For more information on these or other products, please visit www.klaritymedical.com.

STORAGE AND CLEANING

Store in a clean, dry place away from direct sunlight. Wipe thoroughly with a neutral antiseptic cleaner. Allow to dry thoroughly before next use.

INSTRUCTIONS FOR USE

1. Attach the WingSpan™ Baseplate to the accompanying baseplate or treatment table or CT Couch using an indexing bar.
2. Place the desired headrest on the WingSpan Baseplate.
3. Position the patient on the baseplate in the desired manner, ensuring that their hands are comfortably positioned along the top handle.

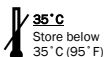


R632-BTCF Klarity WingSpan™ Baseplate		
Number	Item Name	Qty.
1	Baseplate	1
2	T-type Handle	1

To be used by a qualified medical professional
IFU-B-004



Keep in a cool and dry environment



EC REP

Lotus NL B.V
Koningin Julianaplein 10, le Verd, 2595AA
The Hague, Netherlands
T: +31645171879 (English)
T: +31626669008 (Dutch)

Klarity Medical Products, LLC
600 Industrial Parkway
Heath, OH 43056
T: 740.788.8107 F: 740-788-8109
info@klaritymedical.com
www.klaritymedical.com