

Klarity PelvicFix™ Baseplate INSTRUCTIONS FOR USE

GENERAL INFORMATION

The Klarity PelvicFix™ Baseplate is used for positioning and re-positioning patients during radiation therapy treatment.

PRODUCT DESCRIPTION

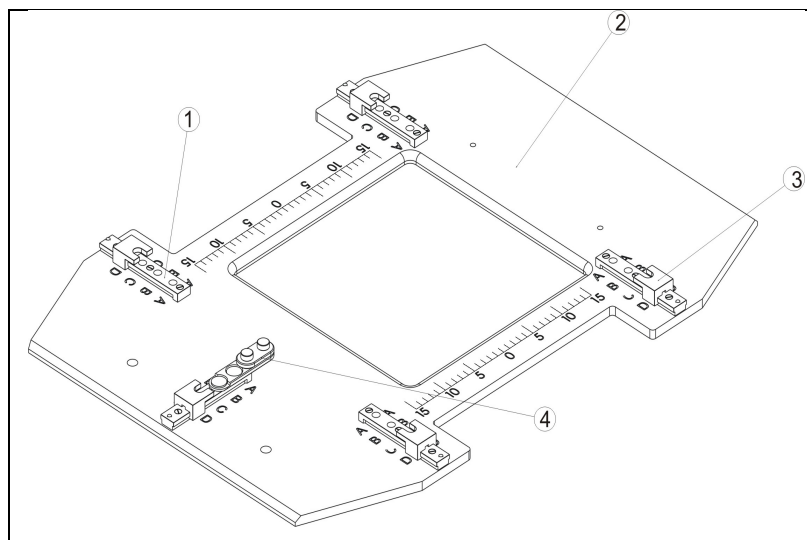
The Klarity PelvicFix™ Baseplate is used for immobilizing the pelvis during radiation therapy treatments. The baseplate fixes to the treatment couch with a standard indexing bar. It is compatible with Hip & Pelvic Masks from Klarity. Please see our full mask selection at www.klaritymedical.com/masks.

STORAGE AND CLEANING

Store in a clean, dry place away from direct sunlight. Wipe thoroughly with a neutral antiseptic cleaner. Allow to dry thoroughly before next use.

INSTRUCTIONS FOR USE

1. Attach the baseplate to the treatment table or CT Couch using an indexing bar.
2. Position the patient on the baseplate
3. Pull the sliders out so that you can insert a mask onto the baseplate.
4. Prepare your thermoplastic mask per the manufacturers' instructions
5. Place the thermoplastic mask directly over the patient and connect the frame to the baseplate.
6. Bring the sliders in to fix the frame to the baseplate.
7. If using the optional Groin Attachment, attach the white pins on top of the pelvic mask holes, and secure in place with the slider.
8. Once the mask cools, release the mask by pulling the sliders out and lifting the mask.

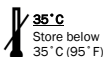


Number	Item Name
1	Slider Bar
2	Baseplate
3	Slider
4	Groin Locating Piece

To be used by a qualified medical professional
IFU-B-007



Keep in a cool and dry environment



Lotus NL B.V
Koningin Julianaplein 10, Ie Verd, 2595AA
The Hague, Netherlands
T: +31645171879 (English)
T: +31626669008 (Dutch)

Klarity Medical Products, LLC
600 Industrial Parkway
Heath, OH 43056
T: 740.788.8107 F: 740-788-8109
info@klaritymedical.com
www.klaritymedical.com