



KCOQ-I750W

Klarity Mini Oven Manual

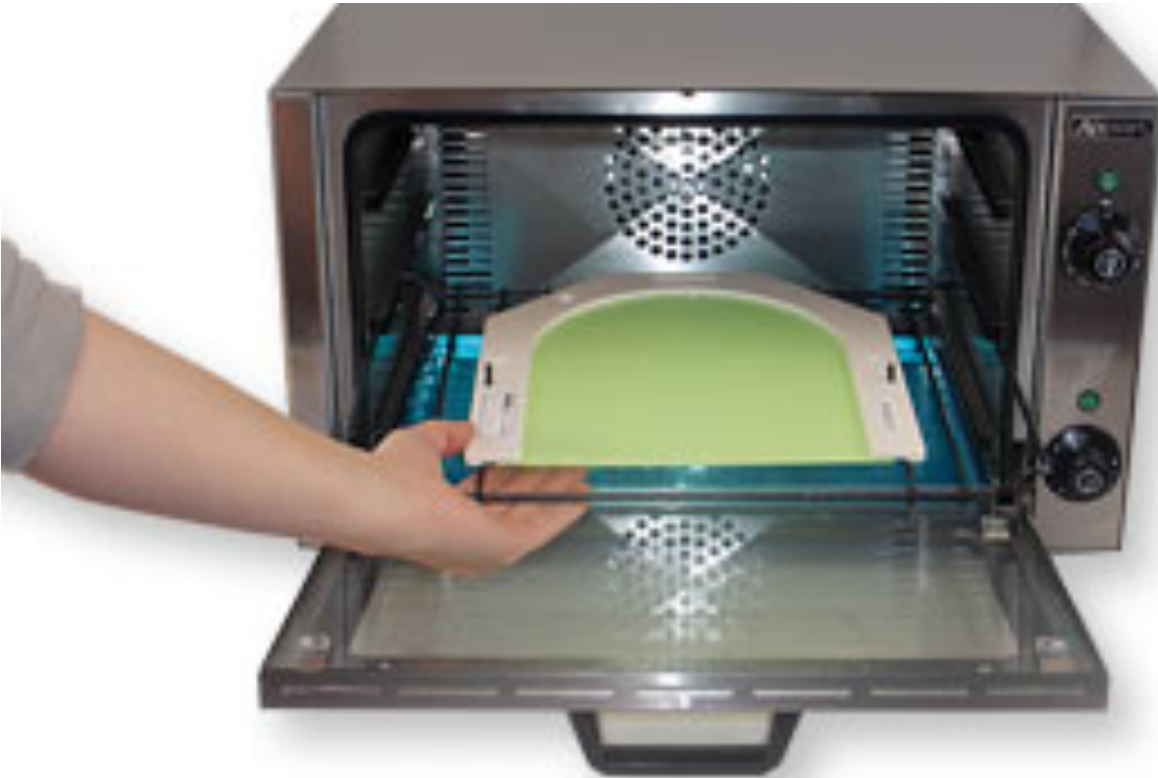




Table of Contents:

Function.....	3
Product Specifications.....	3
Installation.....	3
Operation.....	3
Maintenance & Cleaning.....	4
Circuit Diagram.....	4
Restrictions for Use.....	5
Repair	5
Warranty.....	6



Congratulations! You have just purchased a new Klarity Mini Oven. Please review these instructions before using your new oven. Everyone who operates the oven should read the manual before doing so. Keep the manual in a safe place.

Function

1. Thermal air circulation.
2. Timer Control: 120 minute preset time.
3. Automatic constant-temperature control range of 120-570F.

Product Specifications

Model	COQ-1750W
Name	Convection Oven Quarter
Voltage Range	120V/60Hz
Power Consumption	1750W
Chamber Measurement	405x255x300(H)mm
Box Measurement	480x300x380(H)mm
Internal Temperature Range	120-570F
Time Control Range	0-120 minutes

Installation

1. The appliance must be properly grounded.
2. Placement:
 - a. It is recommended that the oven be placed at least 10cm from the wall or any obstacle.
 - b. All ovens should be placed on a flat, sturdy surface.
 - c. If the product has the be put near a wall, please keep it away from any flammable objects.
 - d. This product should be placed in a well-ventilated area with fire extinguishers.
3. Remove the film attached on the product surface before using.
4. Connection:
 - a. The cable cord must be connected in accordance with all normal electric appliance safety standards.
 - b. Check to make sure the outlet is in accordance with the proper voltage for the oven.

Operation

1. Insert the plug into the socket.
2. Turn on the power switch
3. Rotate the timer knob clockwise to set cooking time. The timer indicator and fan will automatically turn on.
4. Immediately rotate the temperature knob clockwise to set the temperature (we recommend 165 ° F for most thermoplastics). The heating indicator will turn on and begin to heat.
5. The heating indicator will shut off once the desired temperature is reached. The heating indicator will turn on again to maintain temperature.
6. A bell will ring once the timer reaches zero. The heating element will automatically turn off at this time.

Maintenance & Cleaning

1. Unplug the oven before cleaning.
2. Add oil into the hinge for lubrication at least once a year.
3. The oven should be inspected and maintained at least once a month.
4. Regularly clean the interior and exterior with water and a mild detergent
5. Do not use harsh chemicals or abrasives, acids, or other aggressive cleaners.

Circuit Diagram

M: Fan

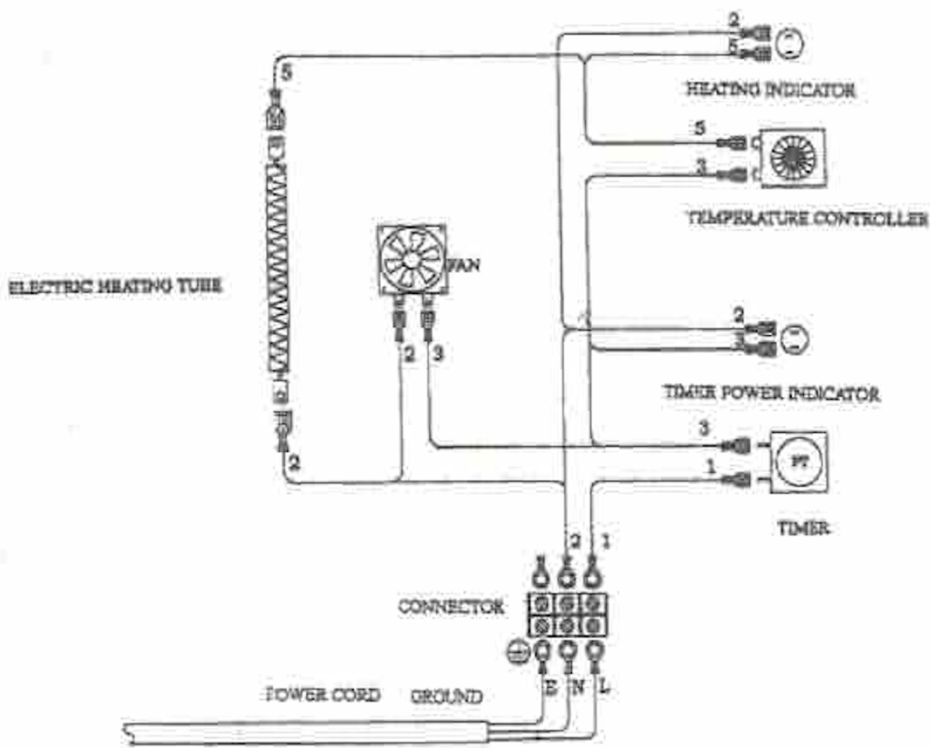
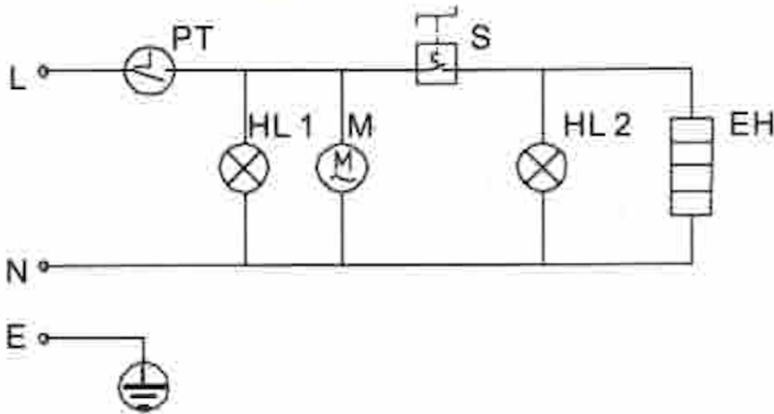
PT: Timer

HL1: Power Indicator

HL2: Heating Indicator

S: Temperature Controller

EH: Heating Element





Restrictions for Use

- This unit has been constructed for indoor use only. Only use the oven in a clean, dry environment.
- Nothing should come in contact with the oven's outside surface when in use. Although well insulated, the surface may become hot during use.
- Do not place objects on top of the oven at any time.
- Keep this user manual near the unit for easy reference when needed.
- Do not situate the back side of the oven directly against a wall, as the back side becomes hot during use.
- Be sure there is adequate space to open the oven door completely.
- Do not use a steam cleaner to clean this appliance. Pressurized steam can damage electrical components and cause a short circuit.
- Do not use plastic containers or plastic wraps in the oven, unless the material has been tested and approved for this purpose. Some plastics may melt and cause damage to the oven.
- Do not use sharp objects to remove dirt or debris from the oven racks. These racks have a nonstick coating that can be damaged by sharp objects or abrasive cleaning.
- All four corners of the oven must be supported when placed on a countertop.

Repair

Should a defective unit need repair, the unit must be cleaned and shipped to the US distributor, Klarity Medical Products, LLC, at the shipping address below.

A detailed description of the type of problem or defect must be included. All units to be returned must receive a Returns Authorization Number from Klarity before being shipped.

For repair questions please contact:

Ph: 740-788-8107 Ext.112

Fax: 740-788-8109

Email: service@klaritymedical.com

Do not try to perform any repair(s) on the unit during the warranty period.



CAUTION:

Only a qualified technician should perform repairs. Repairs and service by unqualified persons may cause injury or damage the appliance and may void the warranty.



Warranty

1-YEAR KLARITY MINI OVEN LIMITED WARRANTY

Klarity Medical Products, LLC (“Klarity”) expressly warrants to the original purchaser (“Purchaser”) of a Klarity Mini Oven (“Oven”) from Klarity or its authorized distributors that EACH OVEN WILL BE FREE FROM DEFECTS IN MATERIAL AND WORKMANSHIP UNDER NORMAL USE AND SERVICE BY PURCHASER FOR A PERIOD OF ONE (1) YEAR FROM THE DATE OF PURCHASE set forth on Klarity’s or its authorized distributor’s applicable invoice (the “Purchase Date”).

TO INITIATE A WARRANTY CLAIM, PURCHASER MUST CALL: (740) 788-8107. Any claim of nonconformity or defect made under this limited warranty must be presented to Klarity promptly in writing setting forth in detail the nature of the nonconformity or defect. Each warranty claim must be preauthorized by Klarity, and must include a Klarity Returns Authorization Number, issued by Klarity. Klarity shall have a commercially reasonable period of time after notice and recognition of a claim of nonconformity or defect to remedy the nonconformity or defect by repair or replacement in accordance with the terms of this limited warranty. Klarity’s obligations are exclusively limited to replacement parts or replacement Ovens, at Klarity’s discretion. These remedies are Purchaser’s exclusive remedies for breach of warranty.

LIMITED WARRANTY EXCEPTIONS:

Misuse Limitation: The limited warranty does not apply in the event of misuse, abuse, improper service, or damage arising from unauthorized repairs. Unless expressly authorized by Klarity in writing, no repairs may be performed on the Oven.

Wear-and-Tear Item Limitation: The limited warranty does not extend to normal wear-and-tear items such as light bulbs, fuses, gaskets, glass, and other perishable items (each a “Wear-and-Tear Item”). Wear-and-Tear Items may be replaced by Purchaser and do not qualify for service assistance. Purchaser may contact Klarity at (877) 599-8905 to purchase replacement Wear-and-Tear Items. In the event a Wear-and-Tear Item fails under normal use within the first one hundred and twenty (120) days of the Purchase Date, Klarity may, at its discretion, provide a replacement Wear-and-Tear Item at no additional charge to Purchaser.

Oven Motor Limitation: Notwithstanding anything contrary to that set forth above, the duration of the limited warranty is limited to a period of one (1) year from the Purchase Date, in the event a nonconformity or defect arises from or relates to the Oven motor.

Nontransferable: The limited warranty is provided exclusively to the Purchaser and may not be assigned or transferred.

Shipping: During the first six (6) months following the Purchase Date, Klarity may, at its discretion, pay for shipping costs for replacement parts and replacement Ovens. For the remainder of the applicable limited warranty period, Klarity will not pay for any shipping or other transportation costs. All shipping methods shall be selected by Klarity at its discretion.

NOTWITHSTANDING ANYTHING TO THE CONTRARY CONTAINED HEREIN OR IN ANY OTHER DOCUMENT OR AGREEMENT BETWEEN KLARITY AND PURCHASER, THE WARRANTIES AND LIMITS OF LIABILITY DESCRIBED IN THIS LIMITED WARRANTY ARE IN LIEU OF ALL OTHER WARRANTIES AND LIABILITIES; THERE ARE NO WARRANTIES, EXPRESS OR IMPLIED, INCLUDING BUT NOT LIMITED TO ANY AND ALL IMPLIED WARRANTIES OF MERCHANTABILITY OR FITNESS FOR A PARTICULAR PURPOSE. UNDER NO CIRCUMSTANCE SHALL KLARITY’S LIABILITY TO PURCHASER OR ANY THIRD PARTY ARISING OUT OF OR RELATED IN WHOLE OR IN PART TO THIS LIMITED WARRANTY OR THE OVEN (A) EXTEND TO OR INCLUDE ANY LIABILITY FOR INCIDENTAL, CONSEQUENTIAL, SPECIAL, PUNITIVE, OR OTHER DAMAGES OF ANY KIND OR CHARACTER, INCLUDING WITHOUT LIMITATION LOSS OF REVENUE OR PROFIT, BUSINESS INTERRUPTION, OR LOSS OF OPPORTUNITY; OR (B) EXCEED IN THE AGGREGATE THE TOTAL OF THE AMOUNTS RECEIVED BY KLARITY FOR THE APPLICABLE OVEN IN THE TWO-YEAR PERIOD IMMEDIATELY PRECEDING THE EVENT GIVING RISE TO THE CLAIM.

Klarity®



Klarity Medical Products, LLC

Tel: 740.788.8107

Fax: 740.788.8109

info@klaritymedical.com

www.klaritymedical.com